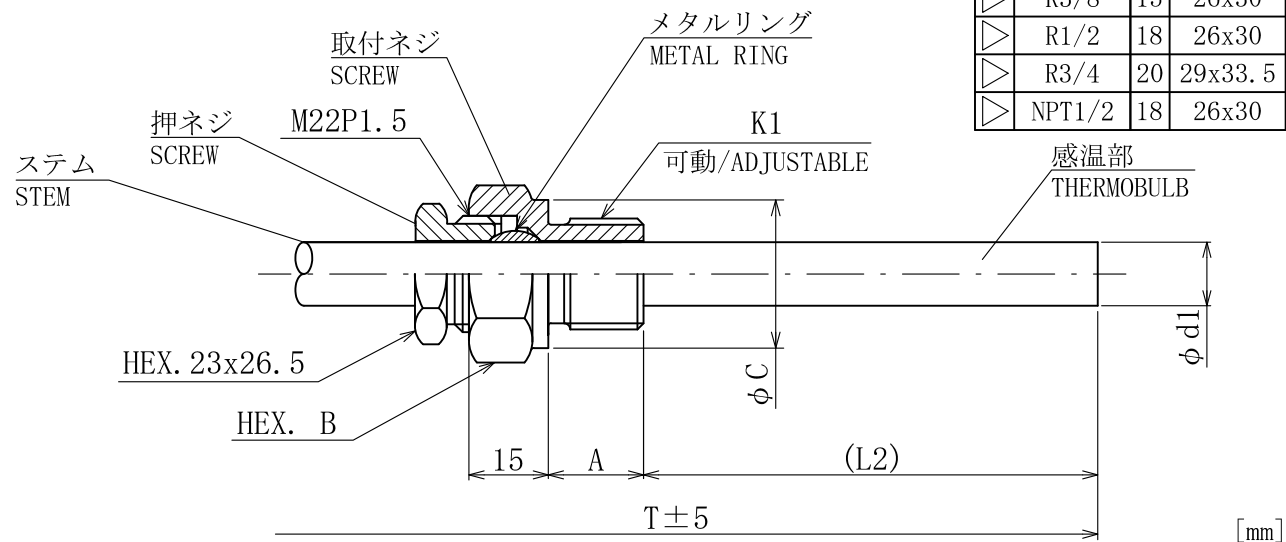


	K2	A	HEX. B
▷	R3/8	15	26x30
▷	R1/2	18	26x30
▷	R3/4	20	29x33.5
▷	NPT1/2	18	26x30



	K1	A	HEX. B	C
▷	G3/8	15	26x30	25
▷	G1/2	18	29x33.5	28
▷	G3/4	20	35x40.5	34

記号 SYM	訂正 REVISION	作成 REV. BY	日付 DATE

注：指定なき寸法許容差は±1
ALLOWANCE ±1 (EXCEPT APPOINTED SIZE)

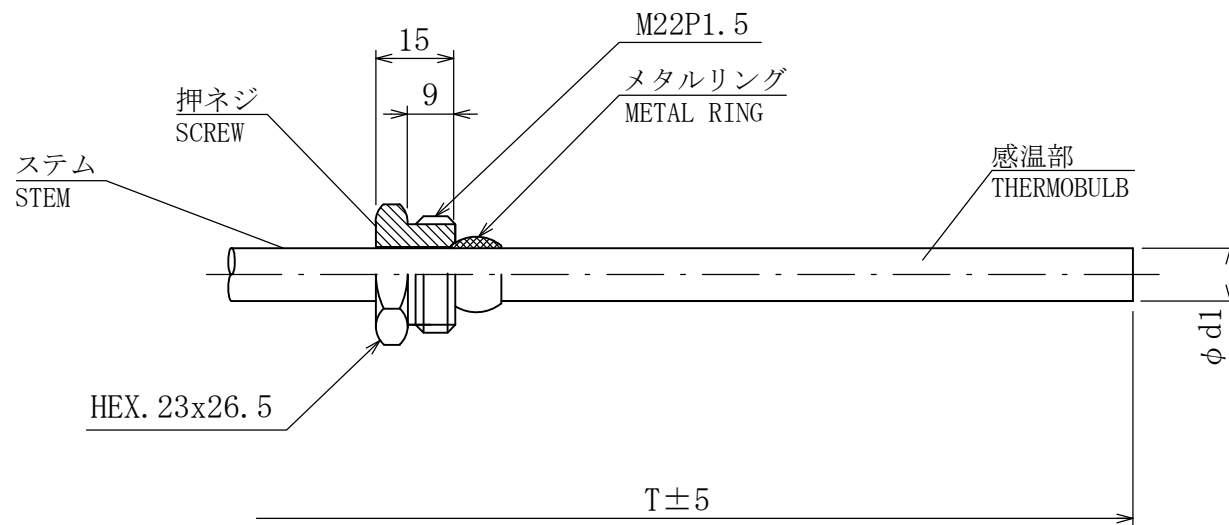
御参考図

TOTAL LENGTH (T)	仕様書参照 REFER TO SPEC. SHEET
LENGTH (L2)	仕様書参照 REFER TO SPEC. SHEET
THERMOBULB (φd1)	仕様書参照 REFER TO SPEC. SHEET

NESS NESSTECH INC.
 タイトル
 TITLE 直結型感温部(全長スライド式)
 STEM TYPE THERMOBULB
 (SLIDING UNION TYPE)

尺度 SCALE	作成 DR. BY		
	承認 APPD.		

型式 MODEL NO.	STEM-AS	
図番 DRAWING NO.		



記号 SYM	訂正 REVISION	作成 REV. BY	日付 DATE

注：指定なき寸法許容差は±1
ALLOWANCE ±1 (EXCEPT APPOINTED SIZE)



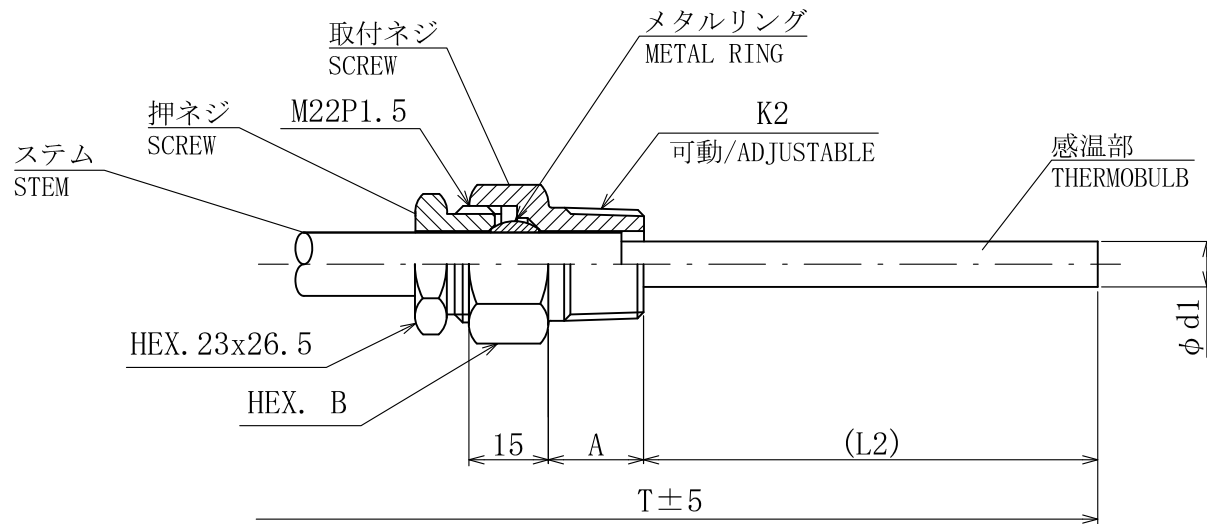
TOTAL LENGTH (T)	仕様書参照 REFER TO SPEC. SHEET
LENGTH (L2)	仕様書参照 REFER TO SPEC. SHEET
THERMOBULB (φ d1)	仕様書参照 REFER TO SPEC. SHEET

NESS NESSTECH INC.

タイトル
TITLE 直結型感温部 (全長スライド式)
STEM TYPE THERMOBULB
(SLIDING UNION TYPE)

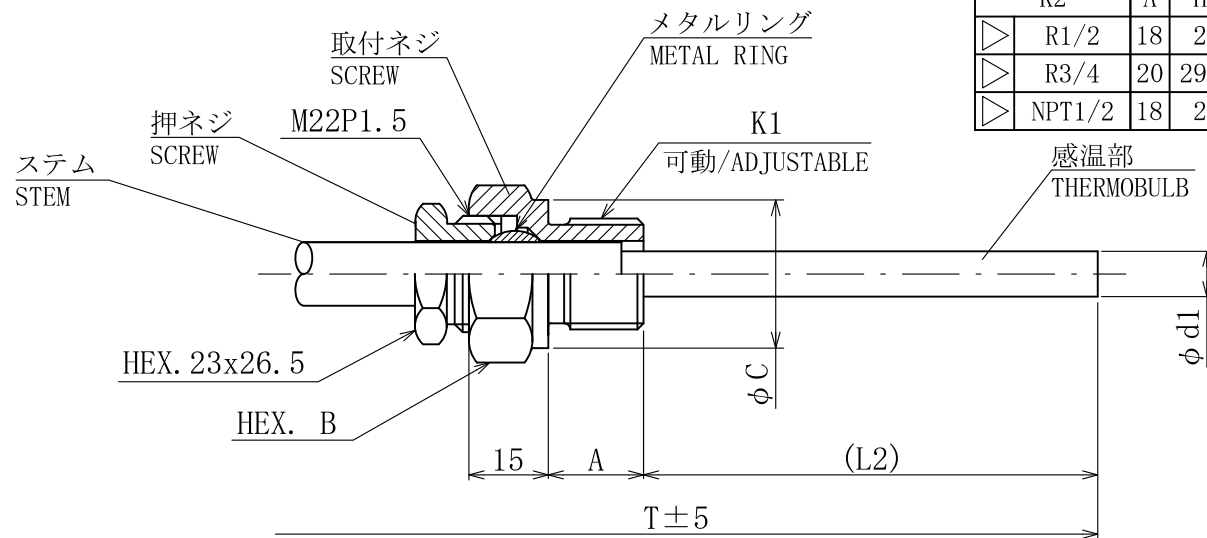
尺度 SCALE	作成 DR. BY		
	承認 APPD.		

型式 MODEL NO.	STEM-AS (M22A)	△
図番 DRAWING NO.		



[mm]

	K2	A	HEX. B
▷	R1/2	18	26x30
▷	R3/4	20	29x33.5
▷	NPT1/2	18	26x30

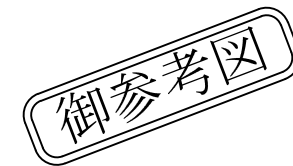


[mm]

	K1	A	HEX. B	C
▷	G1/2	18	29x33.5	28
▷	G3/4	20	35x40.5	34

記号 SYM	訂正 REVISION	作成 REV. BY	日付 DATE

注：指定なき寸法許容差は±1
ALLOWANCE ±1 (EXCEPT APPOINTED SIZE)



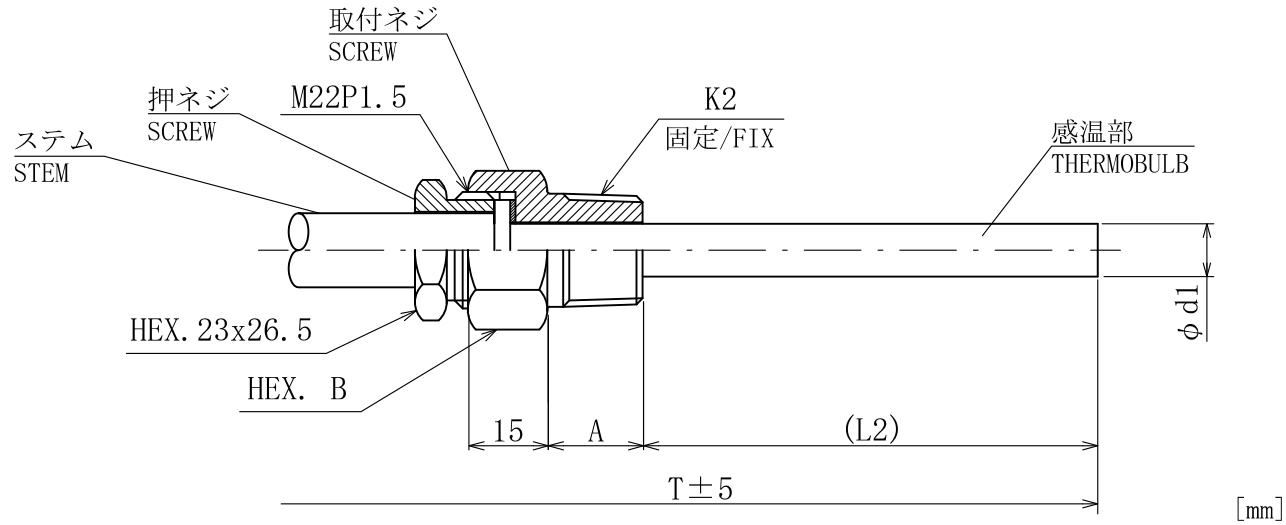
TOTAL LENGTH (T)	仕様書参照 REFER TO SPEC. SHEET
LENGTH (L2)	仕様書参照 REFER TO SPEC. SHEET
THERMOBULB (φd1)	仕様書参照 REFER TO SPEC. SHEET

NESS NESSTECH INC.

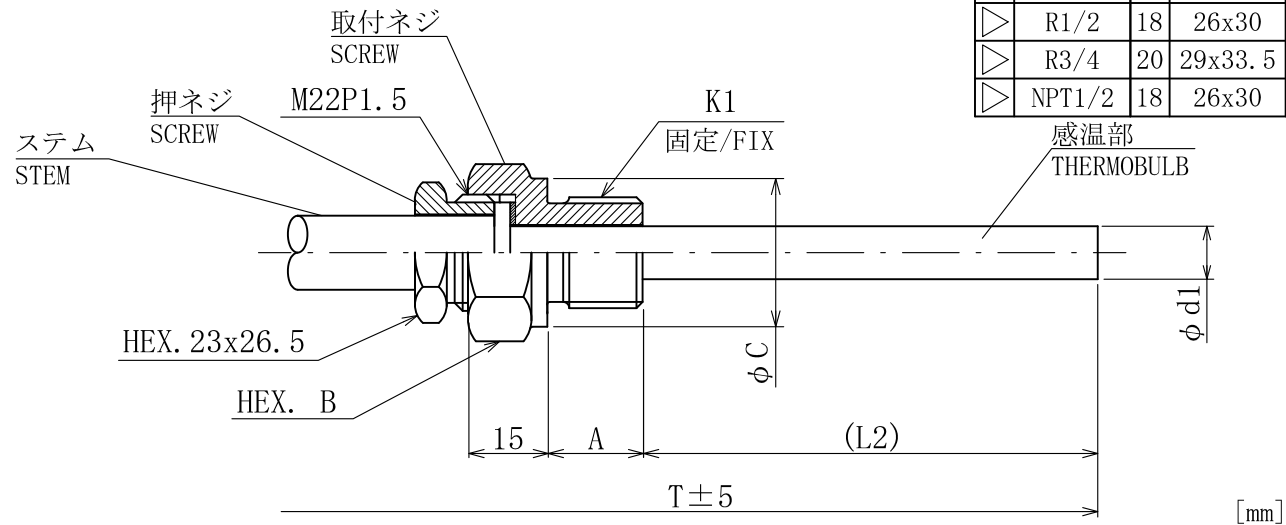
タイトル
TITLE 直結型感温部(可動式)
STEM TYPE THERMOBULB
(ADJUSTABLE UNION TYPE)

尺度 SCALE	作成 DR. BY	承認 APPD.	
f.			

型式 MODEL NO.	STEM-A	
図番 DRAWING NO.		



	K2	A	HEX. B
▷	R3/8	15	26x30
▷	R1/2	18	26x30
▷	R3/4	20	29x33.5
▷	NPT1/2	18	26x30



	K1	A	HEX. B	C
▷	G3/8	15	26x30	25
▷	G1/2	18	29x33.5	28
▷	G3/4	20	35x40.5	34

記号 SYM	訂正 REVISION	作成 REV. BY	日付 DATE

注：指定なき寸法許容差は±1
ALLOWANCE ±1 (EXCEPT APPOINTED SIZE)

御参考図

TOTAL LENGTH (T)	仕様書参照 REFER TO SPEC. SHEET
LENGTH (L2)	仕様書参照 REFER TO SPEC. SHEET
THERMOBULB (φd1)	仕様書参照 REFER TO SPEC. SHEET

NESS NESSTECH INC.

タイトル
TITLE 直結型感温部(固定式)
STEM TYPE THERMOBULB
(FIXED UNION TYPE)

尺度 SCALE f.	作成 DR. BY	承認 APPD.	
----------------	--------------	-------------	--

型式 MODEL NO.	STEM-R	
図番 DRAWING NO.		